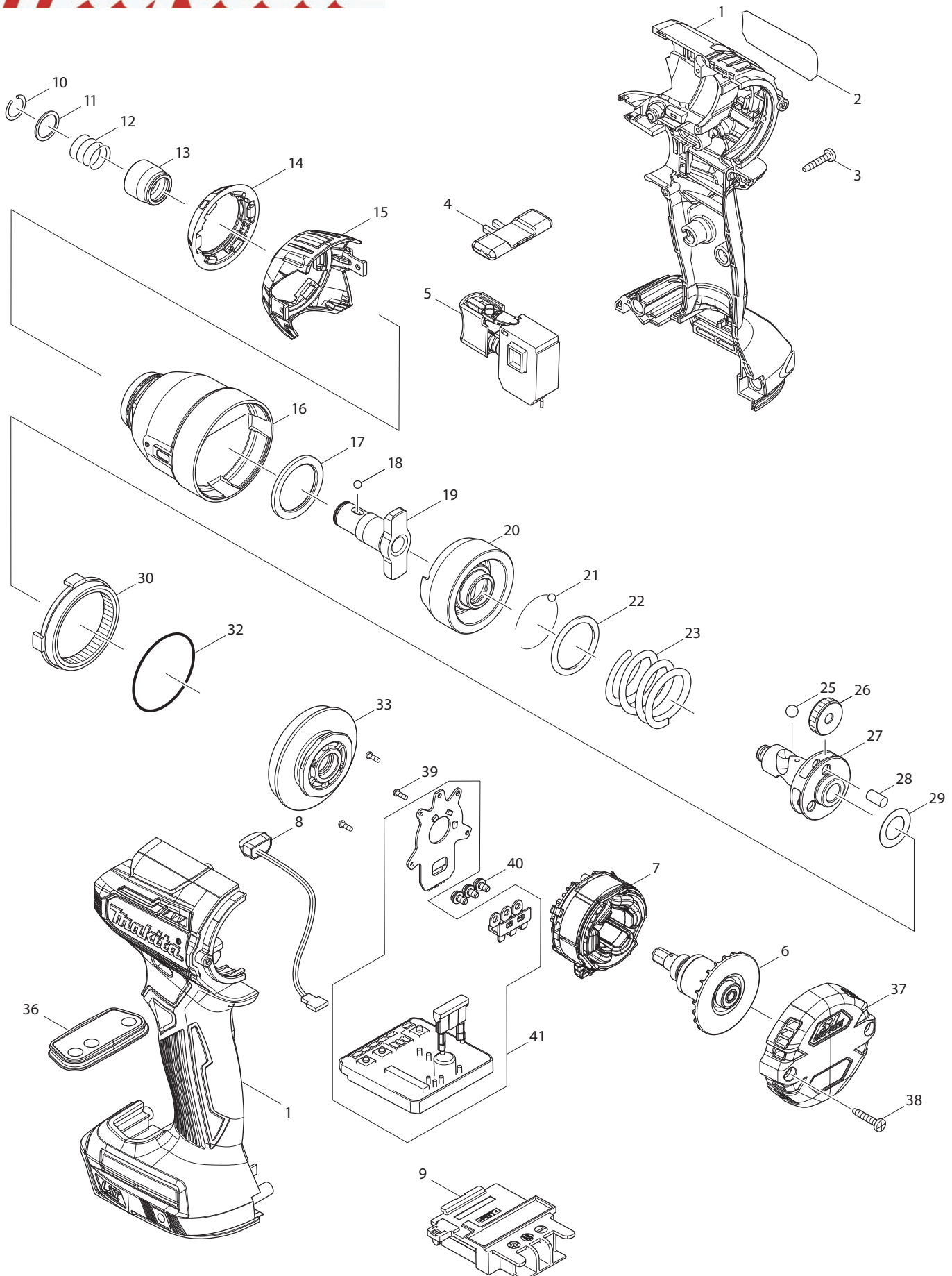




06 - 2016
DTD170Z
18V BL 1/4" IMPACT DRIVER



Item No	Type	Sub	Part No	Description	Qty	Unit
001			183E39-9	HOUSING SET	1	SET
		INC.	263005-3	RUBBER PIN 6	2	PC.
002			852N52-9	NAME PLATE F/DTD170	1	PC.
003			266130-9	TAP SCREW BIND P-TYPE 3X16	8	PC.
004			455053-8	FRONT / REAR CHANGE LEVER	1	PC.
005			650772-3	SWITCH	1	PC.
006	1		619419-8	ROTOR	1	PC.
	2		619408-3	ROTOR	1	PC.
007			629217-2	STATOR	1	PC.
008			620521-2	LED CIRCUIT	1	PC.
009			643860-3	TERMINAL	1	PC.
010			231951-8	RING SPRING 11	1	PC.
011			267085-1	FLAT WASHER 12	1	PC.
012			233005-7	COMPRESSION SPRING 13	1	PC.
013			326068-1	BIT SLEEVE	1	PC.
014			424828-6	BUMPER	1	PC.
015			456710-1	HAMMER CASE COVER	1	PC.
016	2		144787-5	HAMMER CASE COMPLETE	1	PC.
017			261155-8	NYLON WASHER 24	1	PC.
018			216001-0	STEEL BALL 3.5	2	PC.
019			326506-3	ANVIL M	1	PC.
020	2		327155-9	HAMMER	1	PC.
021			216001-0	STEEL BALL 3.5	24	PC.
022			267175-0	FLAT WASHER 24	1	PC.
023			234331-7	COMPRESSION SPRING 24	1	PC.
025	2		216041-8	STEEL BALL 5.6	2	PC.
026			227338-0	SPUR GEAR 22	3	PC.
027	1		326710-4	SPINDLE	1	PC.
	2		326783-7	SPINDLE	1	PC.
028			268311-1	PIN 5	3	PC.
029			253314-8	THIN WASHER 15	1	PC.
030	2		221457-4	INTERNAL GEAR 51	1	PC.
032			213507-9	O RING 40	1	PC.
033	1		143719-9	BEARING BOX COMPLETE	1	PC.
	2		143976-9	BEARING BOX COMPLETE	1	PC.
036			143721-2	SWITCH PLATE COMPLETE	1	PC.
037			457058-4	REAR COVER	1	PC.
038			266130-9	TAP SCREW BIND P-TYPE 3X16	2	PC.
039			266490-9	TAP SCREW P-TYPE 2X6	3	PC.
040			652069-6	FLAT HEAD SCREW M3X6	3	PC.
041	1		620520-4	CONTROLLER	1	PC.
	2		620893-5	CONTROLLER	1	PC.
100			266622-8	+ TRUSS HEAD SCREW M4X12(F/ Item No. A2)	1	PC.
C01			879812-0	CARTON F/DTD170Z	1	PC.
E01			810C91-9	CAUTION LABEL	1	PC.
ACCESSORIES			- See Catalogue or visit www.makita.ca for more accessories -			
A02			346449-3	HOOK	1	PC.
A03			-----	LI-ION BATTERY ACCESSORIES		
A04			-----	18V LI-ION BATTERY		
A05			-----	BATTERY CHARGER	1	PC.
A06			197211-7	INTERLOCKING TOOL CASE M	1	PC.
A06			T-02571	FOAM INSERT F/INTERLOCK CASE	2	PC.
		INC.	453974-8	LOCKING LATCH	4	PC.
A07			122758-2	STOPPER ASS'Y	1	PC.
A08			166070-0	SHOULDER BELT	1	PC.
A09			197043-2	TOOL CATCHER SET	1	PC.
A10			-----	DRIVERS BITS		
A11			784643-3	CONNECT BIT 6.35-44	1	PC.
A12			763418-3	CHUCK KEY S10	1	PC.

Item No	Type	Sub	Part No	Description	Qty	Unit
A13			191881-4	3/8" DRILL CHUCK ATTACHMENT SET	1	PC.
		INC.		Item No. A11, A12	1	PC.
A14			194250-8	3/8" KEYLESS CHUCK ATTACHMENT -PKG	1	PC.
		INC.		Item No. A11	1	PC.
A15			763198-1	3/8" KEYLESS CHUCK ATTACHMENT -BULK	1	PC.
		INC.		Item No. A11	1	PC.
A16			192077-0	3/8" KEYLESS CHUCK ATTACHMENT -PKG	1	PC.